

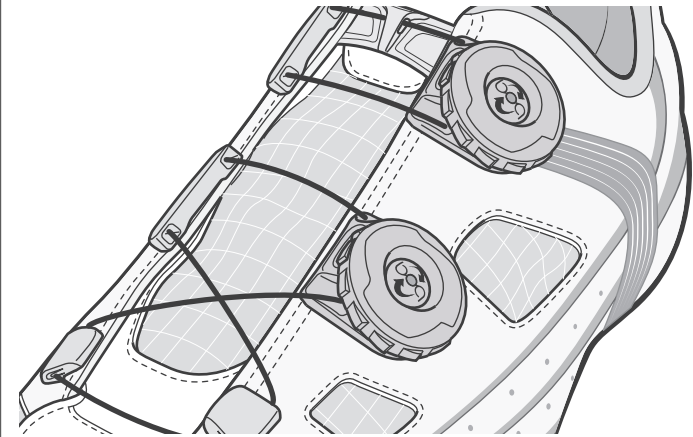
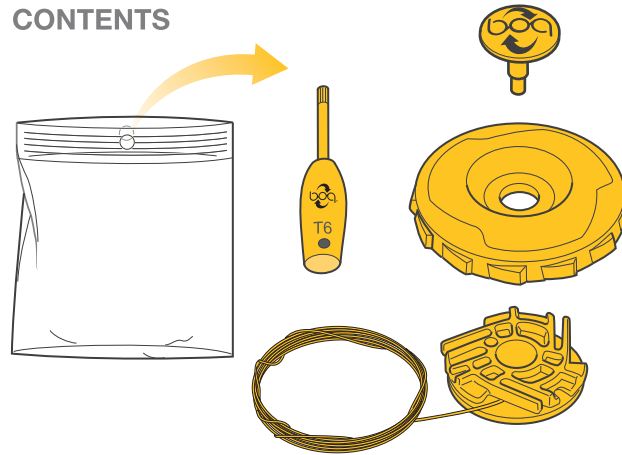


||| CONTACT INFORMATION
phone: 1.888.755.5126
fax: 1.303.455.0575
email: Info@BoaTechnology.com

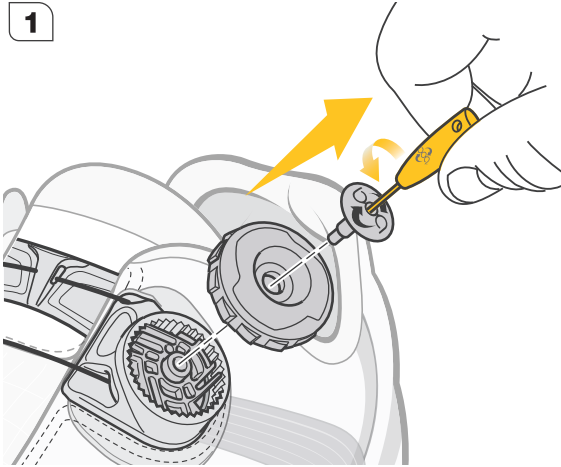
||| S1 REEL PARTS KIT

||| BOATECHNOLOGY.COM

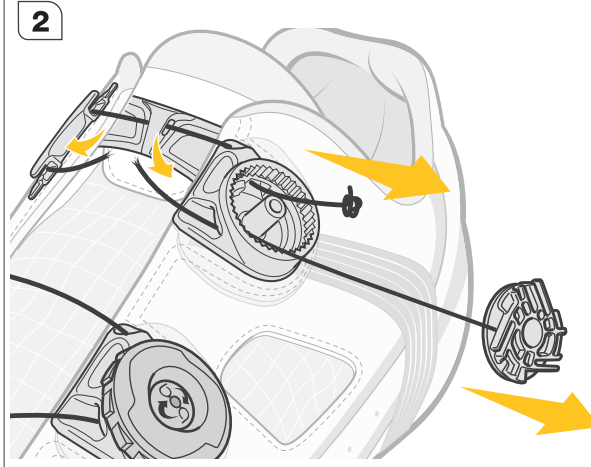
CONTENTS



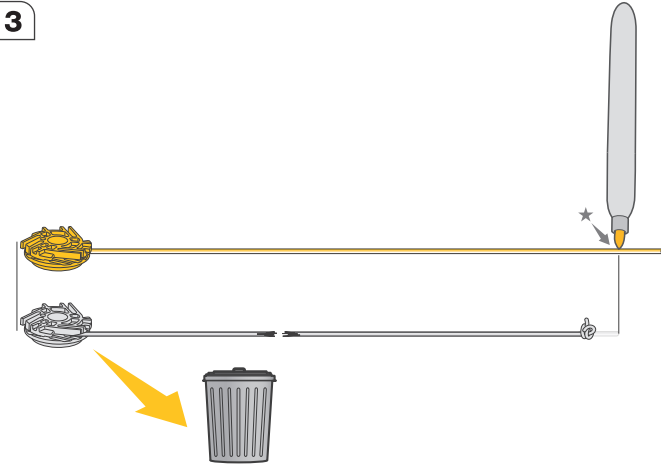
1



2



3



4

