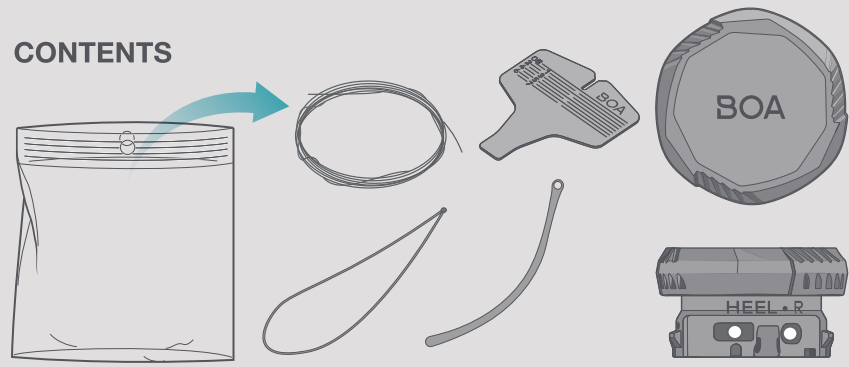


Li2

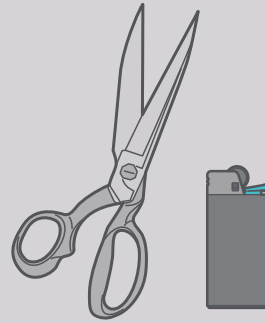
HEEL MOUNT + TX6

BOA®

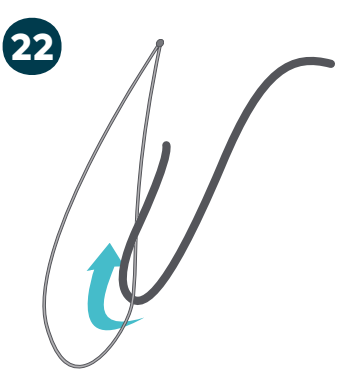
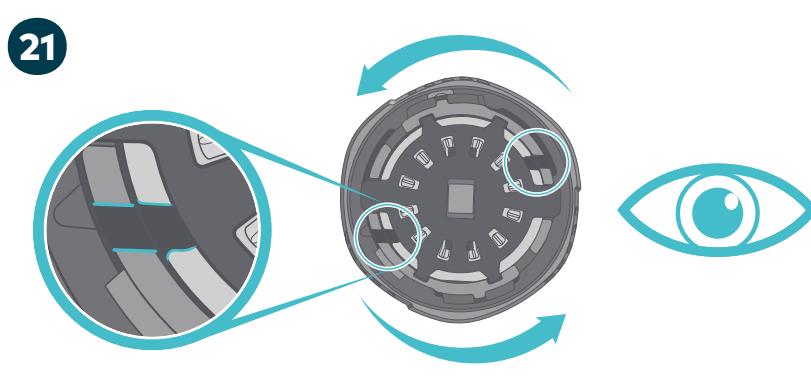
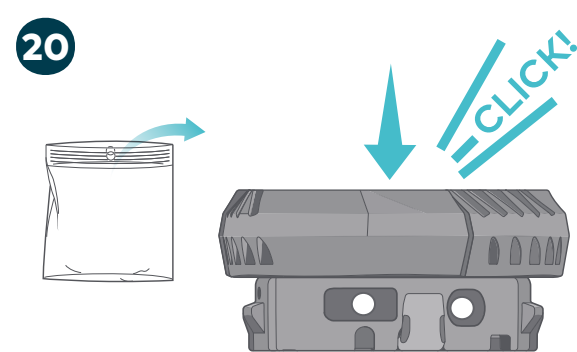
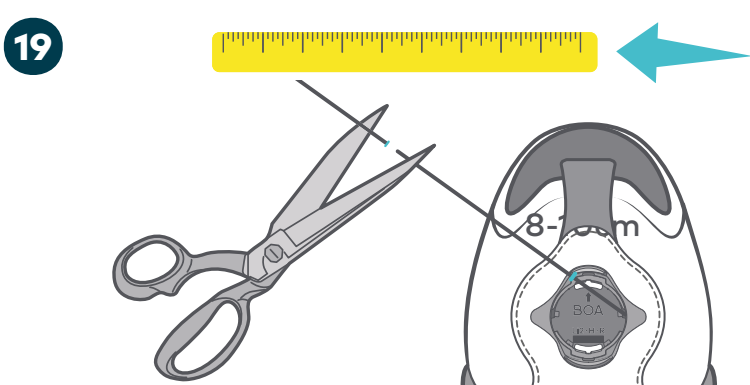
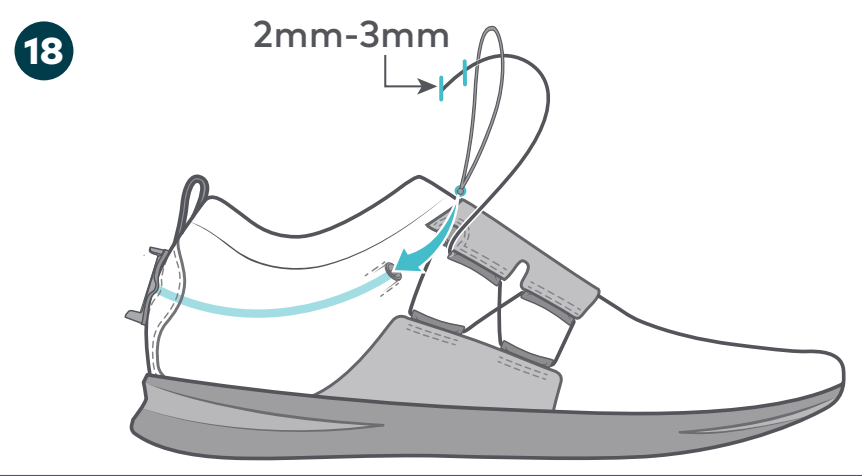
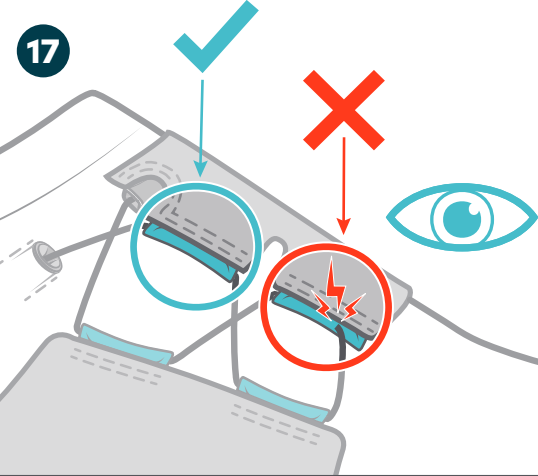
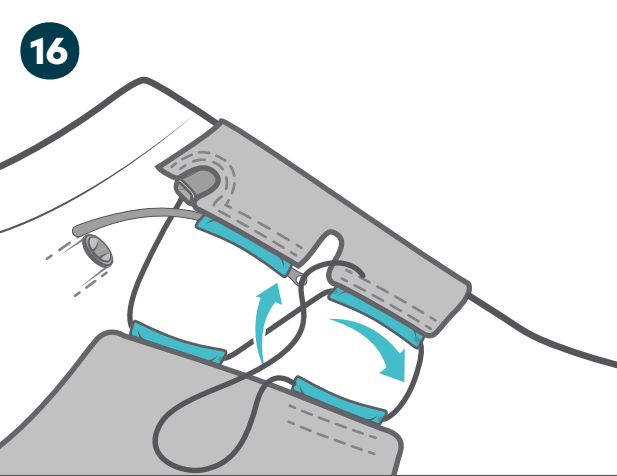
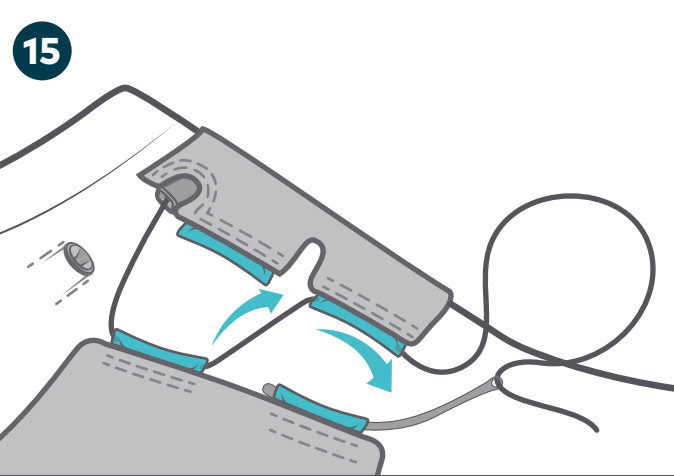
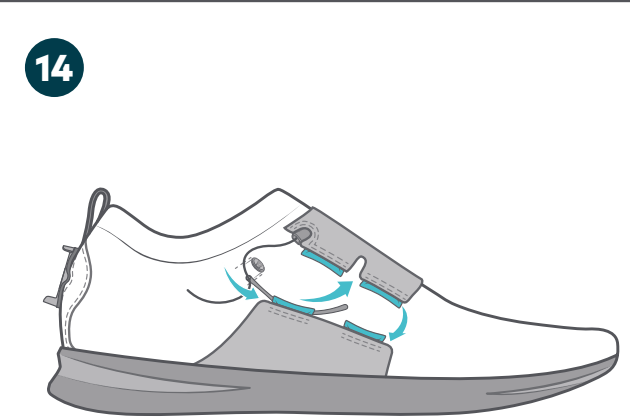
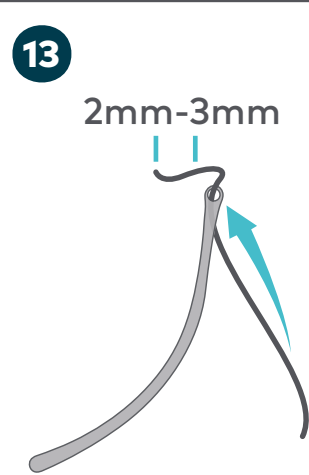
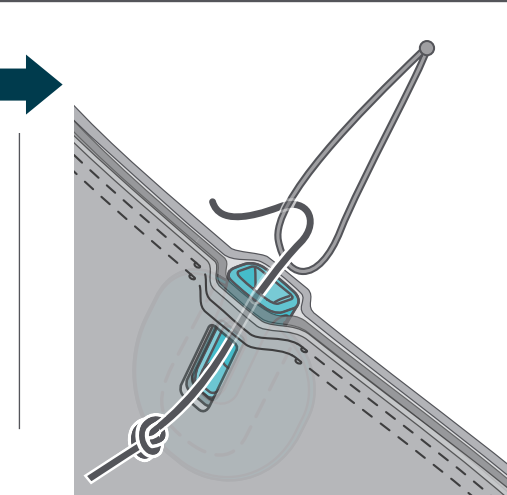
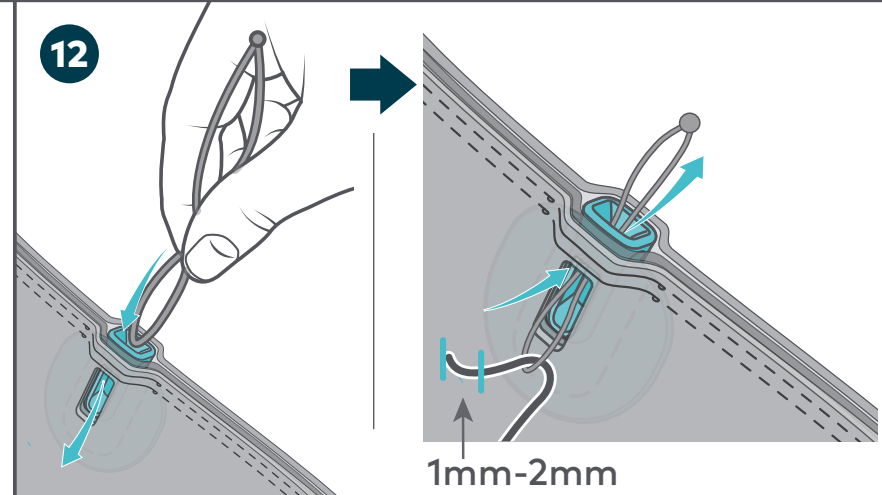
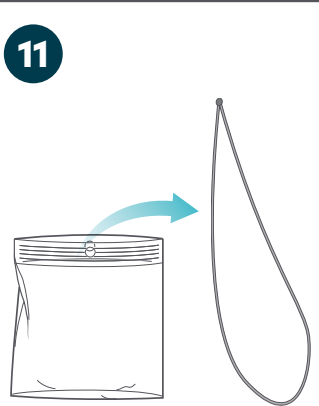
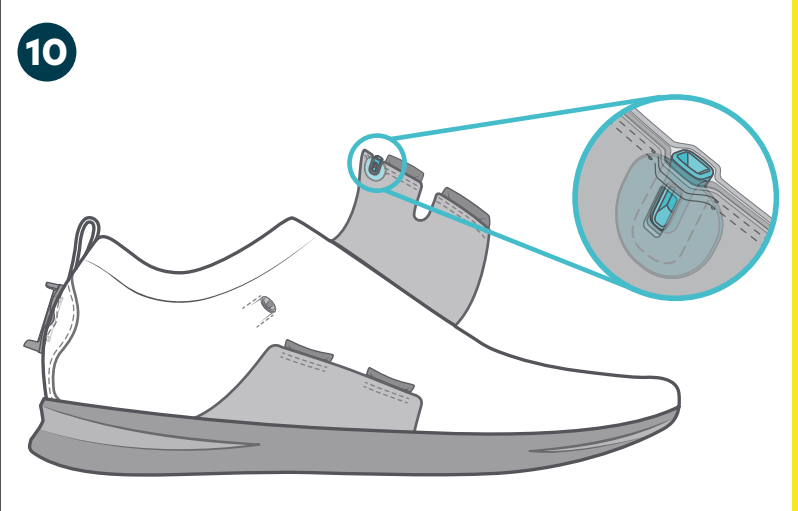
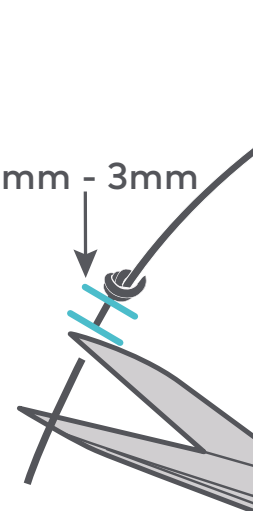
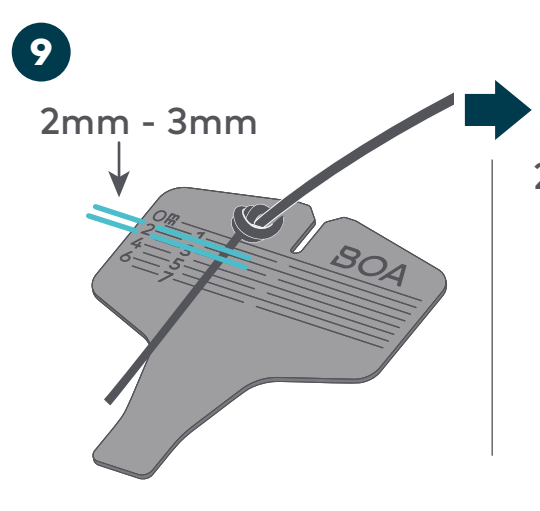
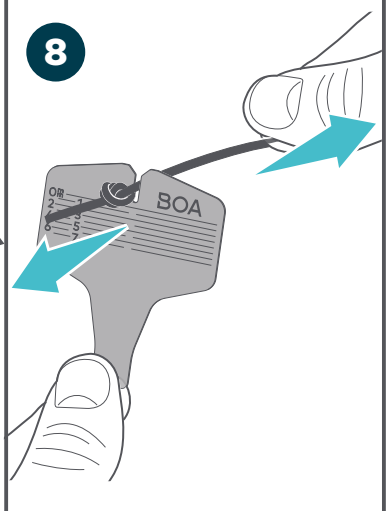
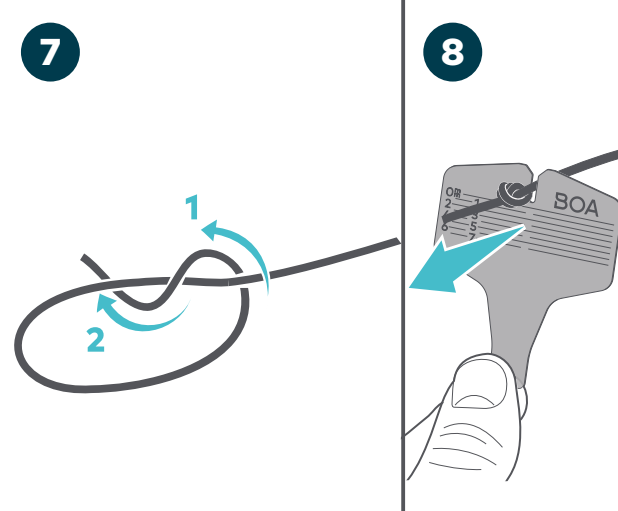
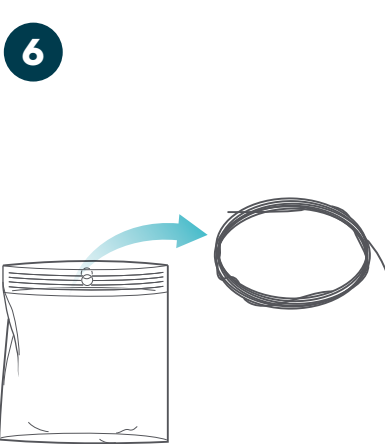
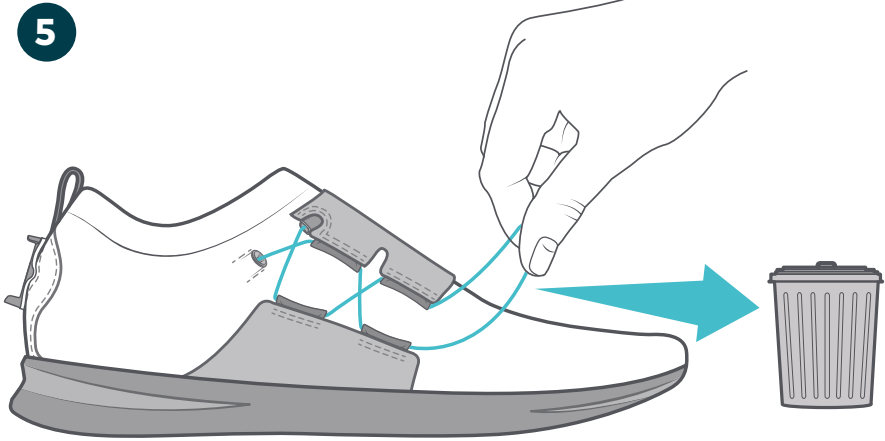
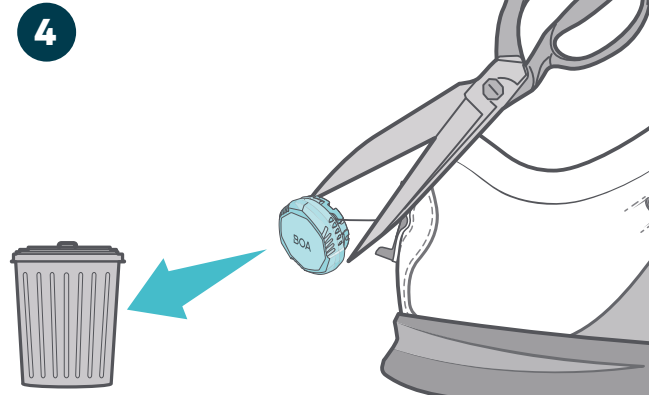
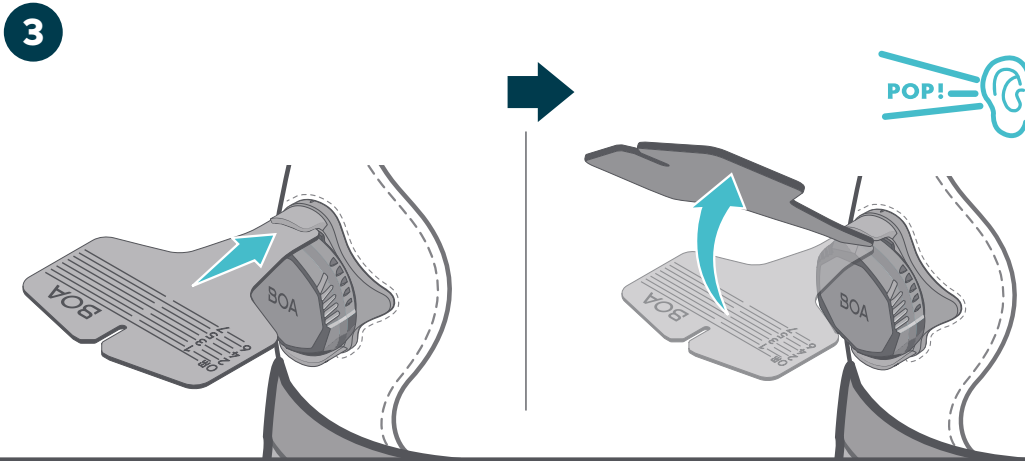
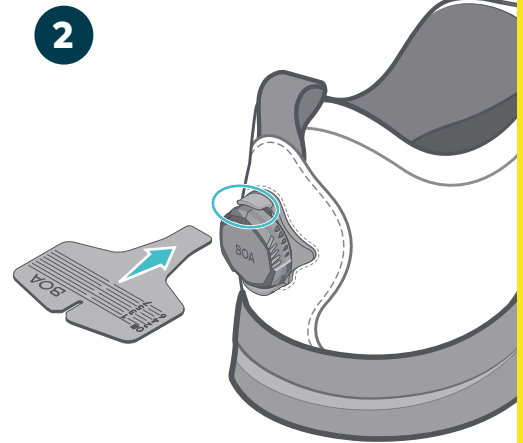
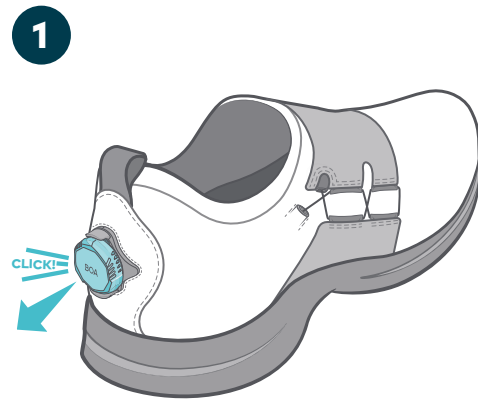
CONTENTS



TOOLS NEEDED

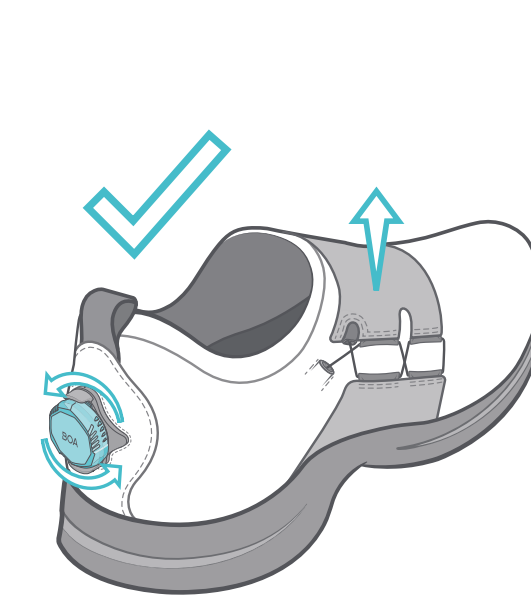
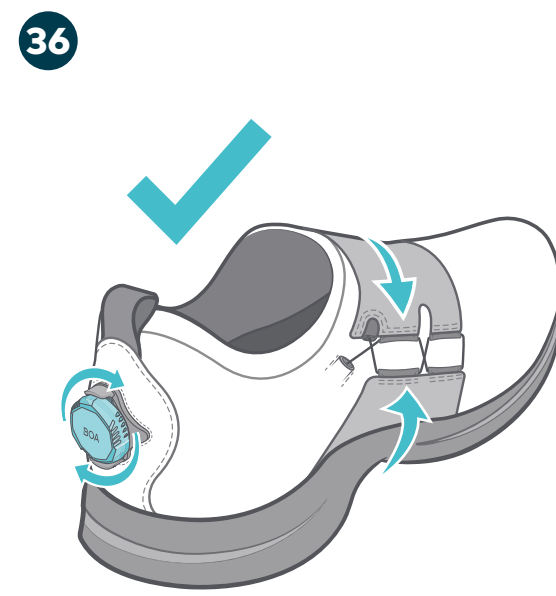
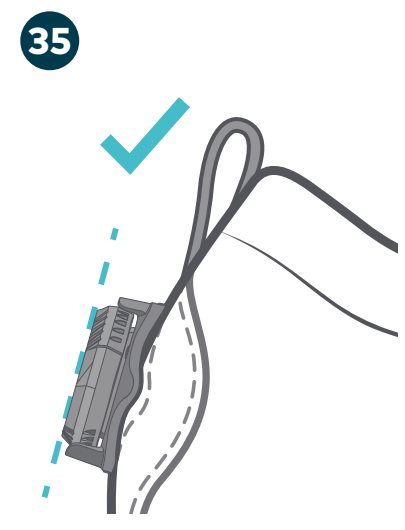
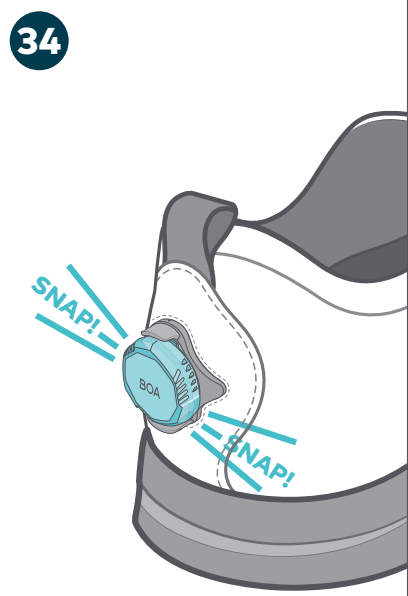
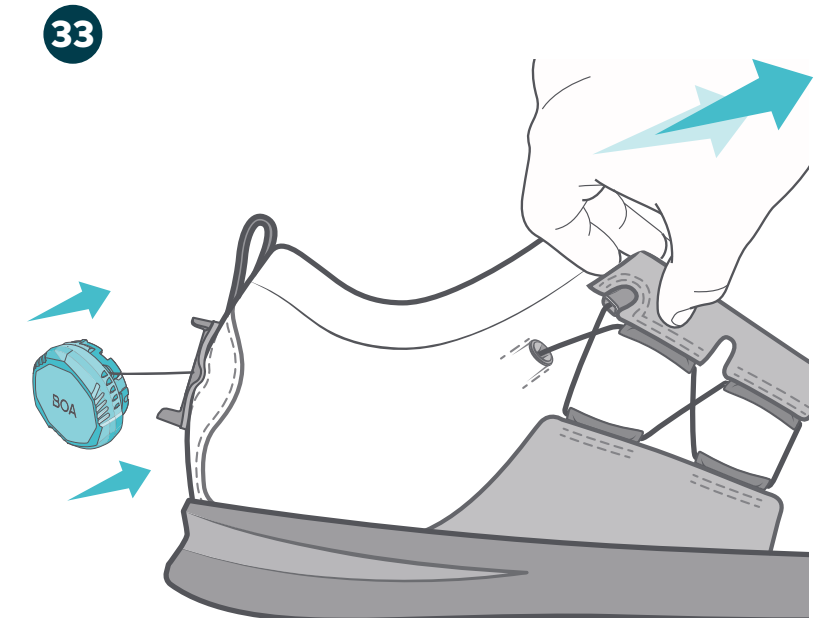
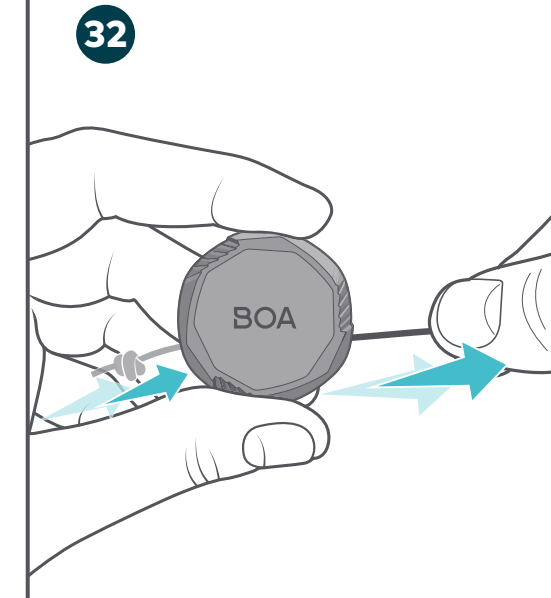
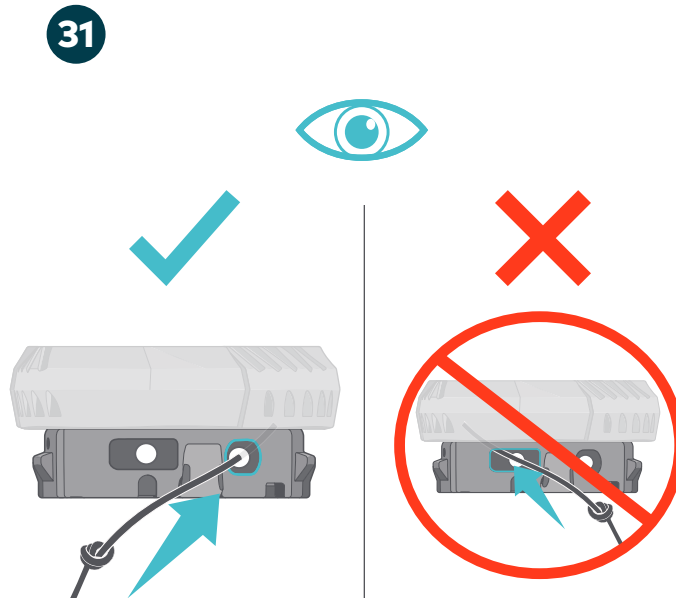
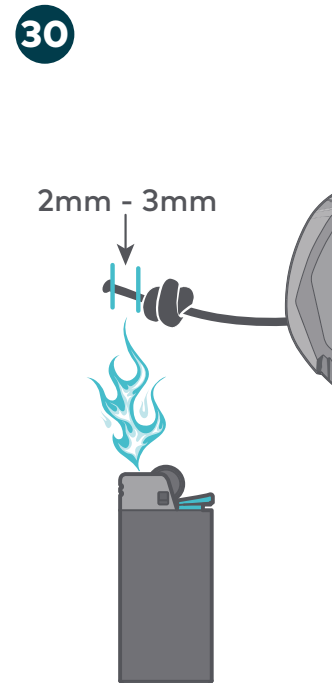
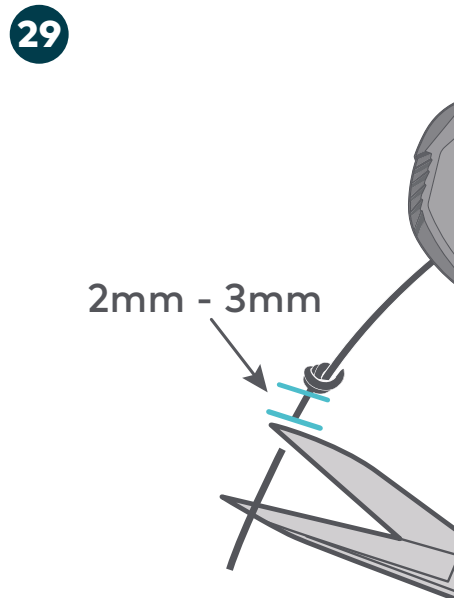
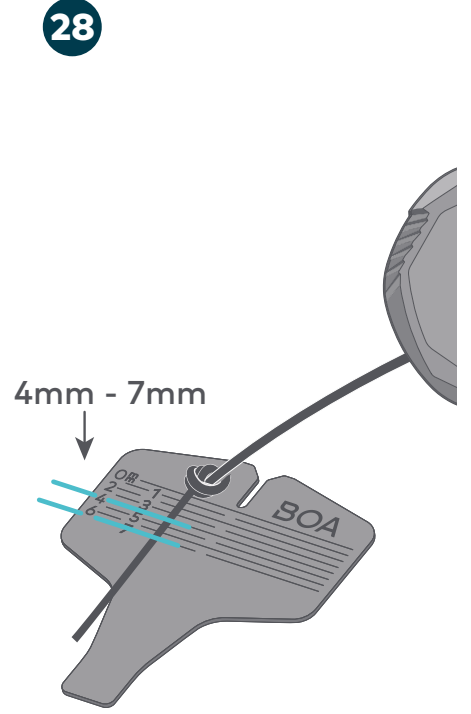
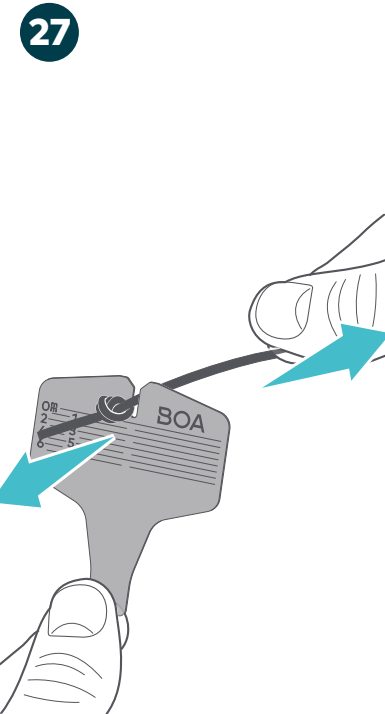
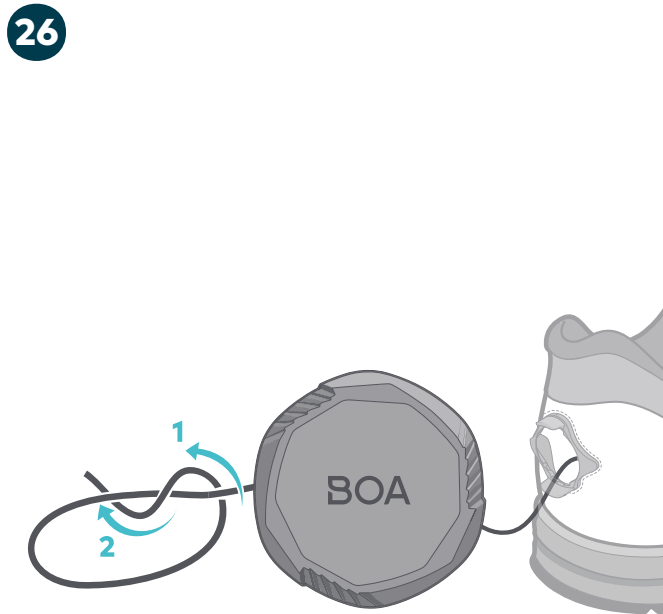
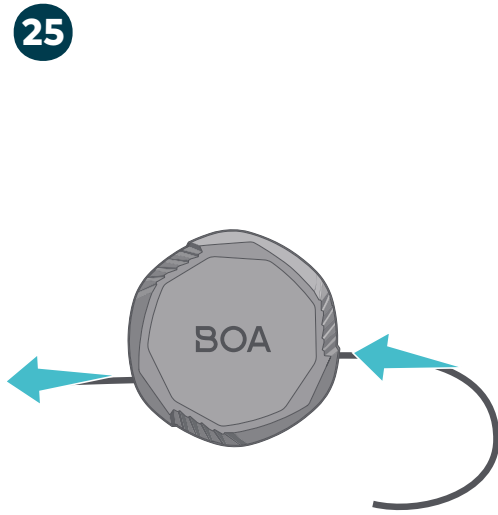
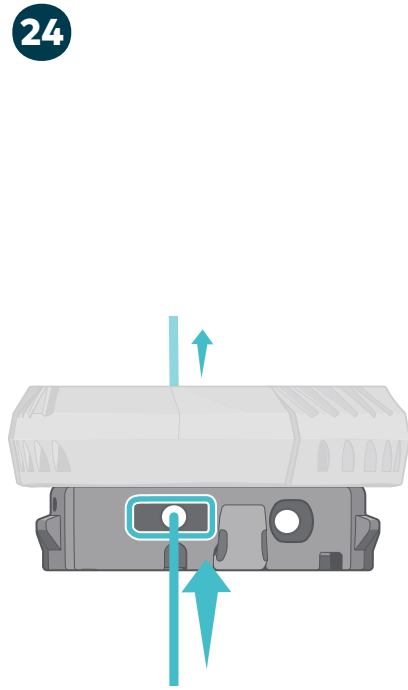
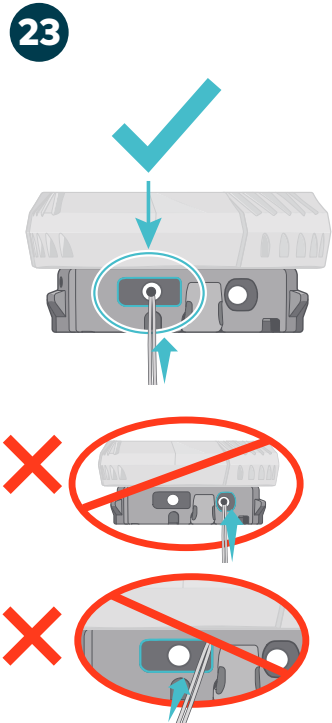


VIEW Li2 HEEL + TX6 REPAIR VIDEO
BOAFIT.COM/SUPPORT

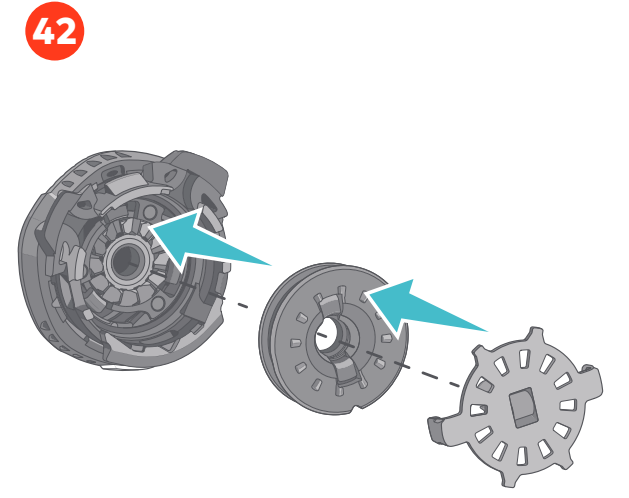
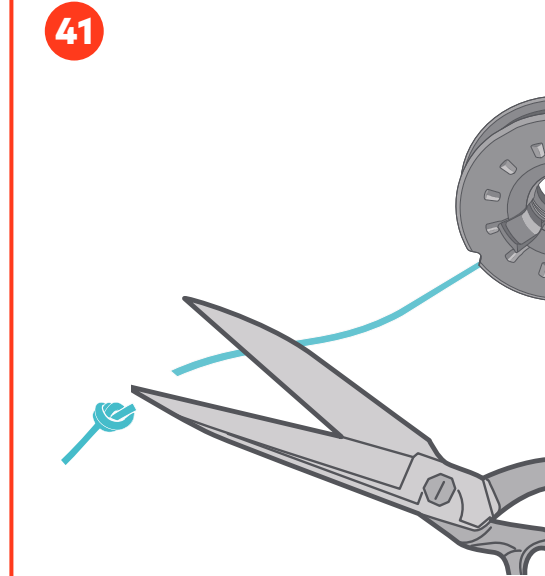
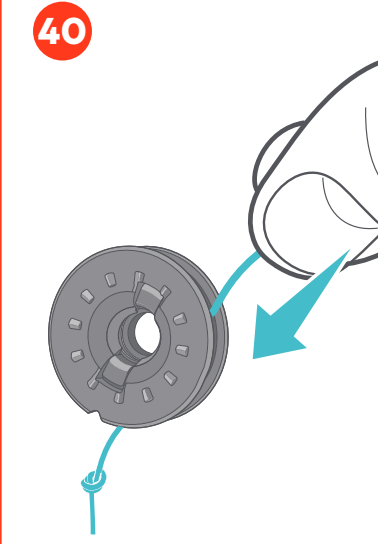
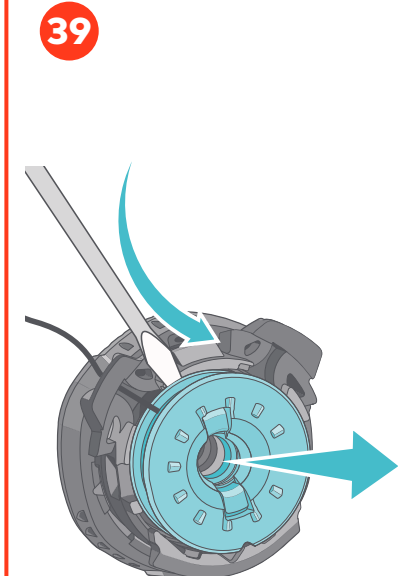
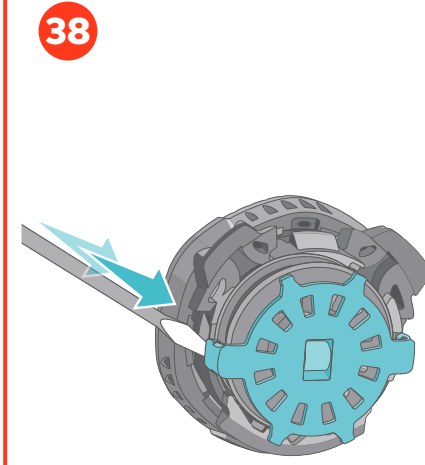


RULER CM





GO TO STEP 37 IF INCORRECT



RETURN TO STEP 20