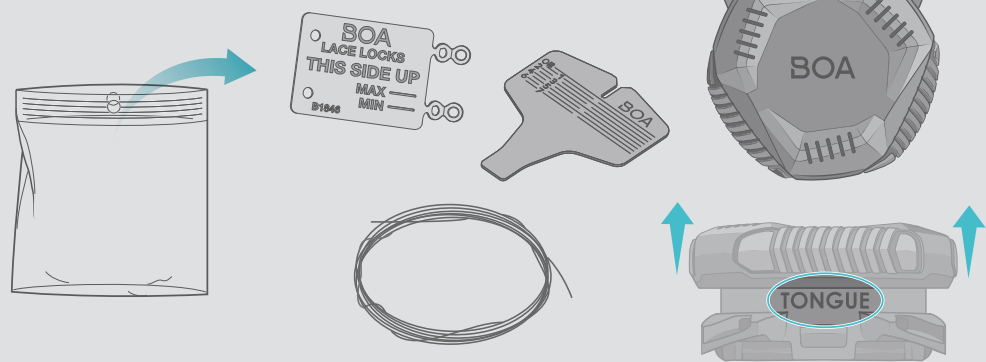


L+1

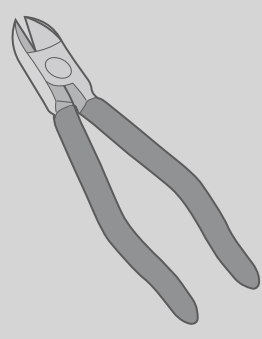
TONGUE + CS3

BOA

CONTENTS

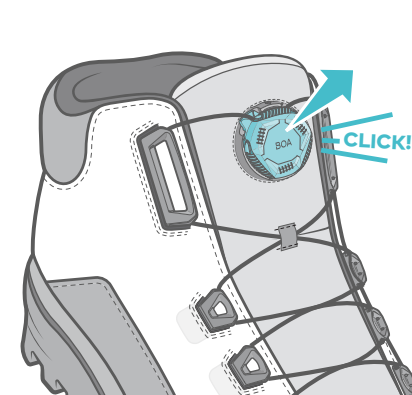


TOOLS NEEDED

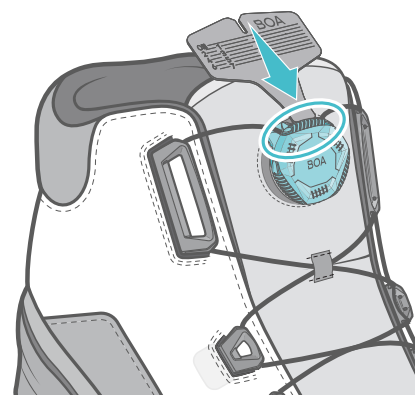


1000863

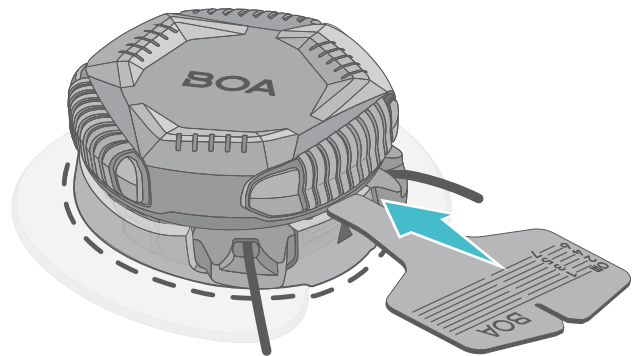
1



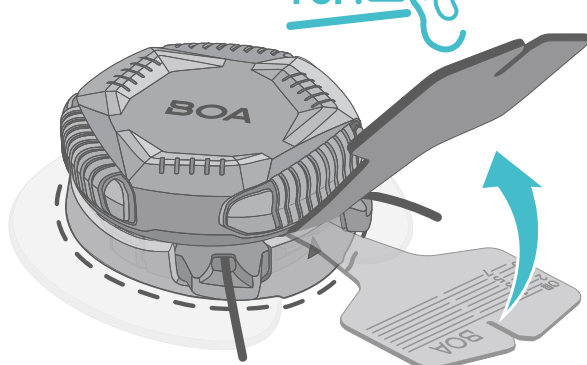
2



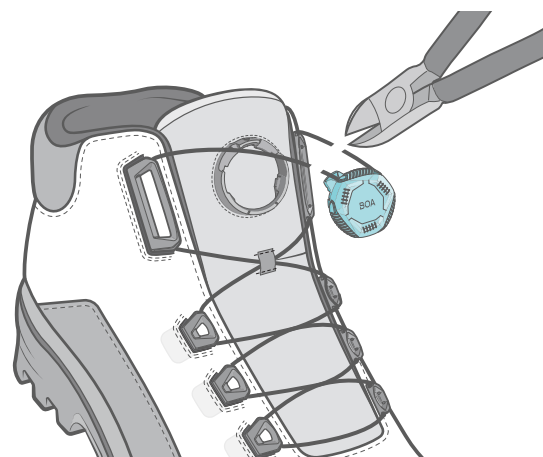
3



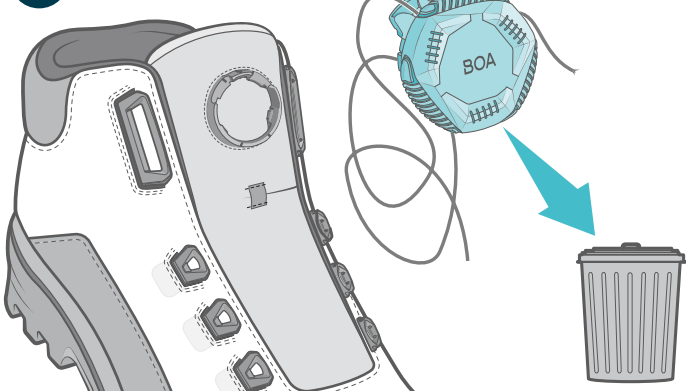
POP!



4



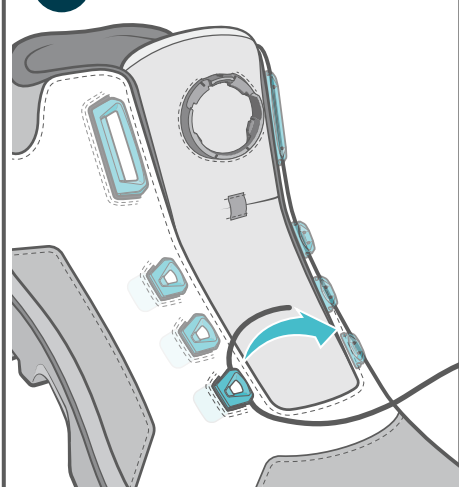
5



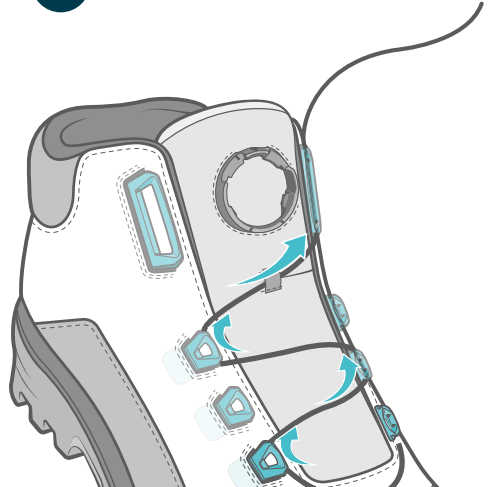
6



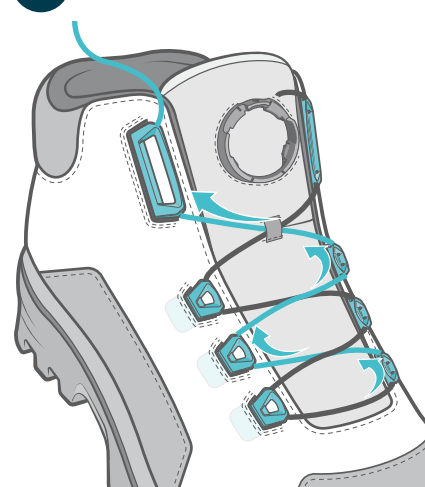
7



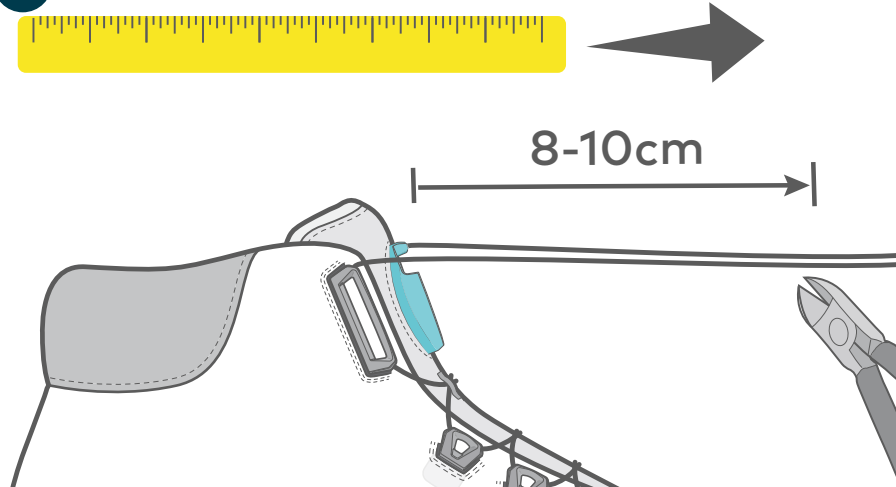
8



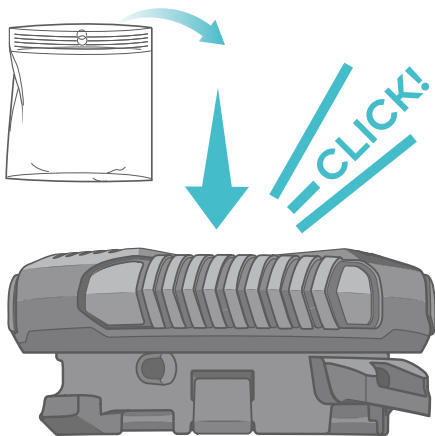
9



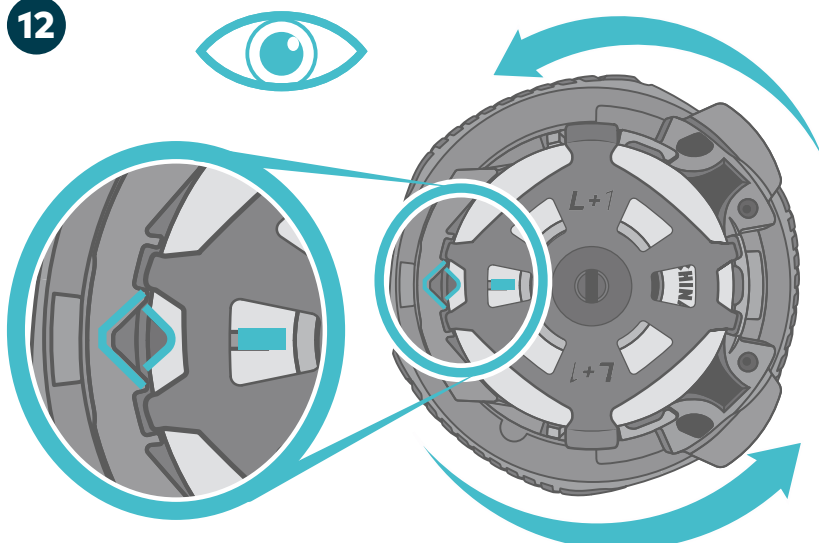
10



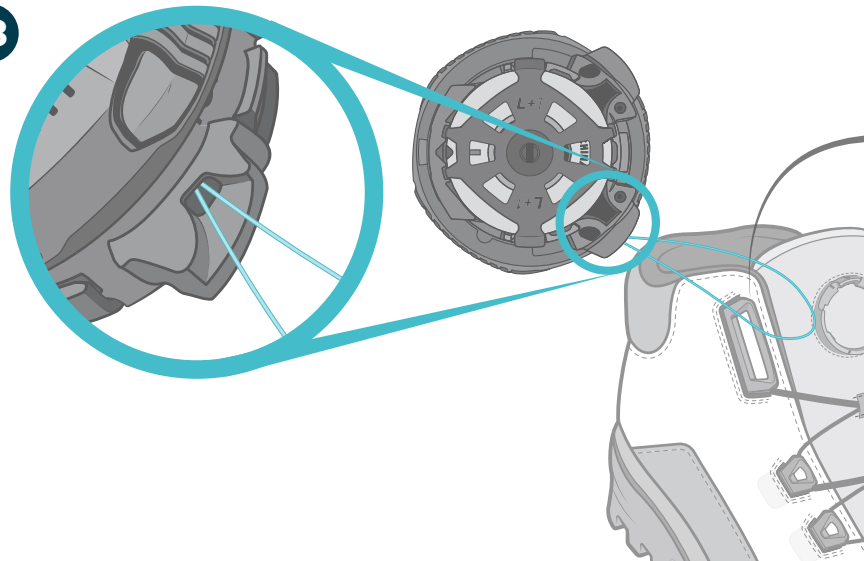
11



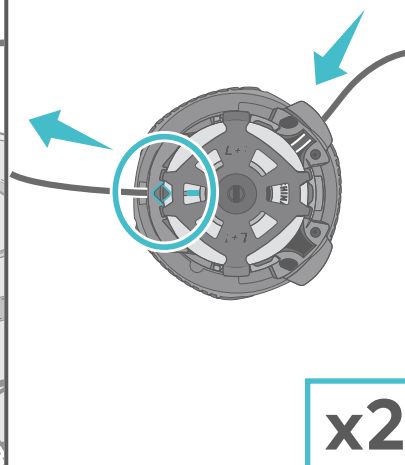
12



13

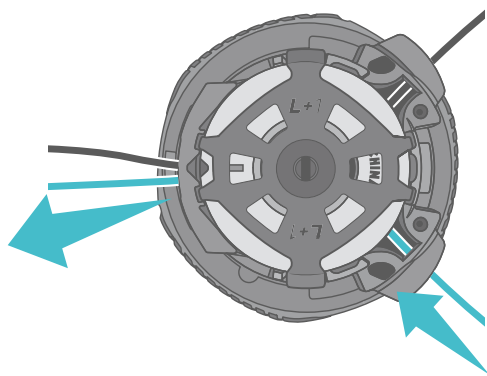


14

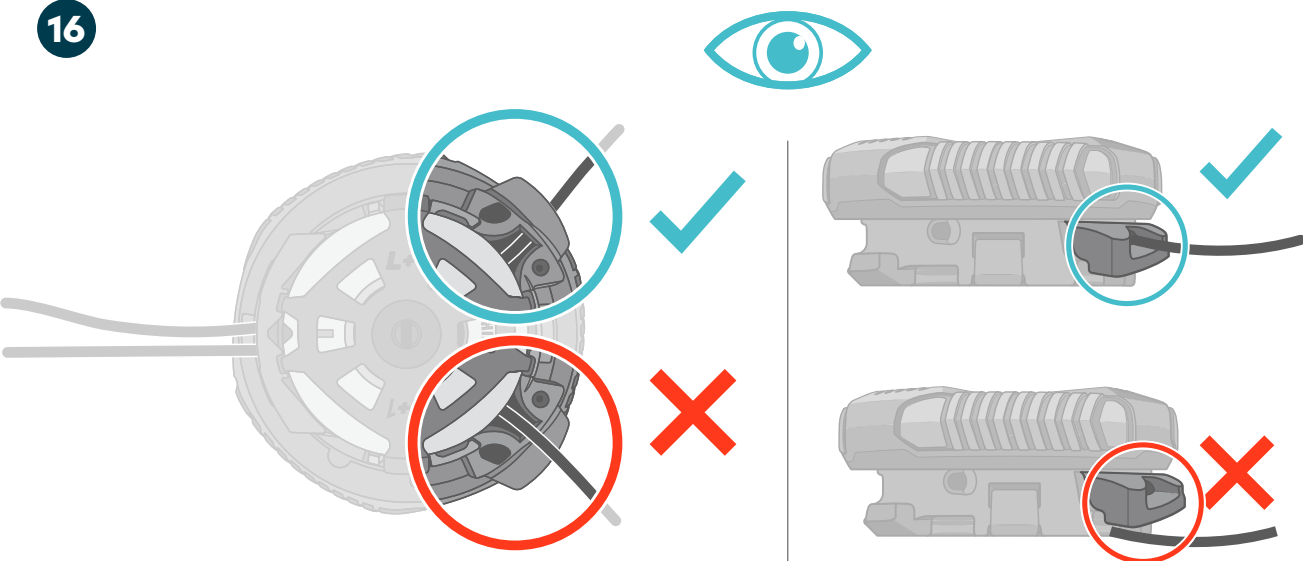


x2

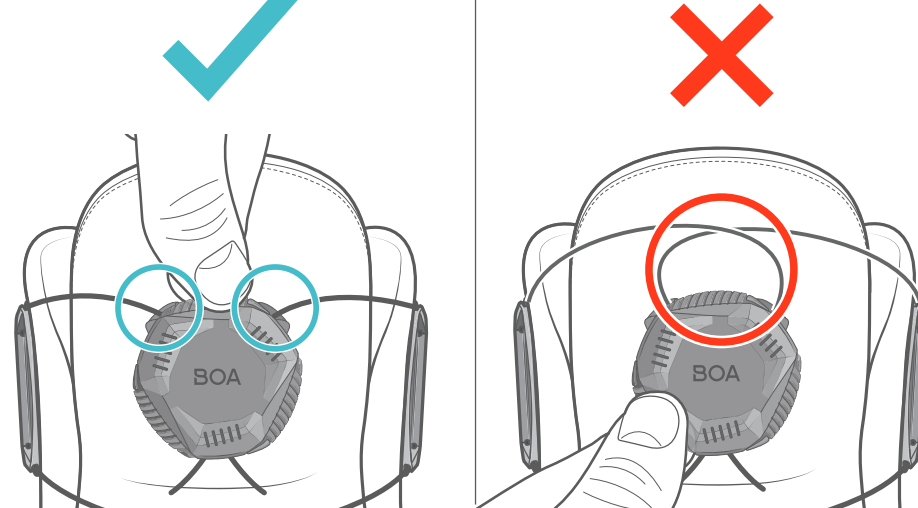
15



16



17



RULER CM



